



GE  
Lighting



## LED Energy Smart™ GU10 dimmable

@LED6D/GU10/830/220-240V/WFL BX  
1/10

# 98174

---

### Product information

This range provides a substantial energy saving and a direct replacement solution for the 35W and 50W halogen products by consuming only 4.5 to 6.5 Wattages of power.

---

## Product data

Cap/Base	GU10
Bulb Shape	PAR
Bulb Finish	Coated
Bulb Diameter [mm]	50.2
Dimming Capability	Yes
Beam Angle [°]	35
Maximum Overall Length [mm]	57
DUN Code	10043168981740
EAN Code	0043168981743
Net weight per piece [g]	73
Gross weight per piece [g]	101
UV radiance	NA
Regulatory comment	Remaining inventory is being sold out
Brand	General Electric (GE)

## Performance data

Nominal power [W]	6
Nominal lamp voltage [V]	230
Nominal lumens [lm]	340
Colour temperature [K]	3000
Colour Rendering Index (CRI) [Ra]	80
Rated Life L7 [h]	25000
Lamp Current [A]	0.04
Power Factor	0.7
Center Beam Candlepower [cd]	720

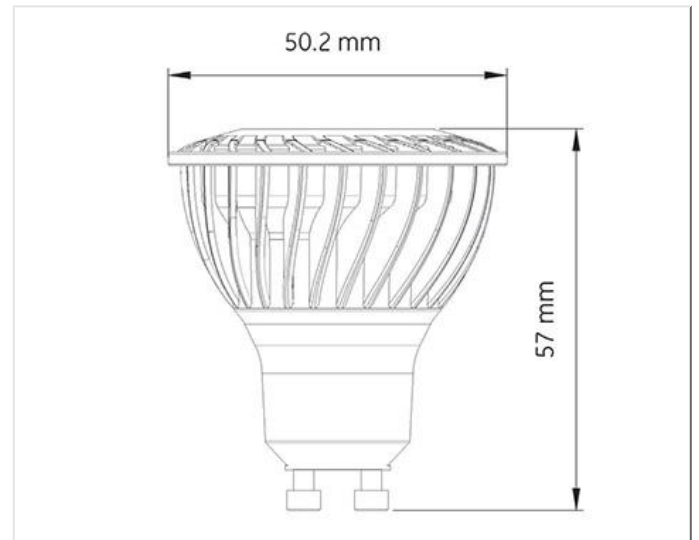
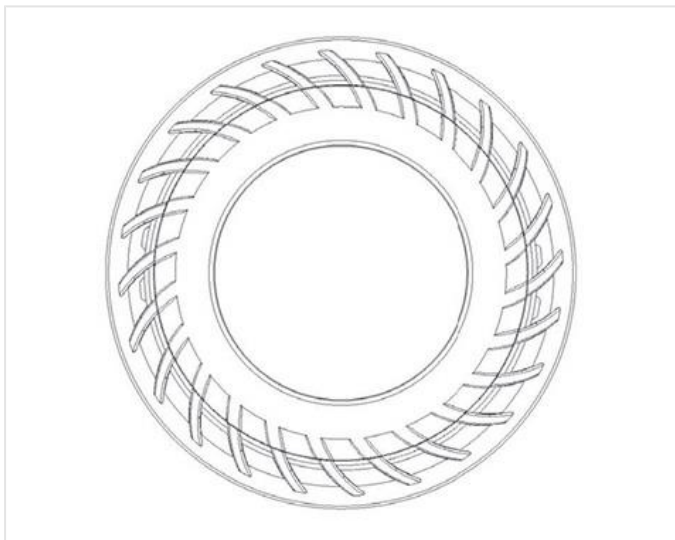
## Logistic data

Pack Quantity	10
Layer quantity	360 EUR, 540 UK
Layer quantity EUR	360
Layer quantity UK	540
Pallet quantity EUR (PC)	2160
Pallet quantity UK (PC)	3240
Outer case size	286 x 115 x 66 (mm)
Product status	Available while stock lasts

## Application areas



## Technical drawing



## Downloads & Links

[Go to the catalog site \(HTTP\)](#)

[Photometry \(IES\)](#)

[Dimming compatibility \(HTTP\)](#)

[LED Lighting Solutions - Catalogue \(EN\) \(PDF\)](#)

[GU10 Dimmable 6W MIC Data sheet \(PDF\)](#)

[LED Retrofit Lamps - Brochure \(EN\) \(PDF\)](#)

[Lighting design tools & calculators \(HTTP\)](#)

## Photometric Data

